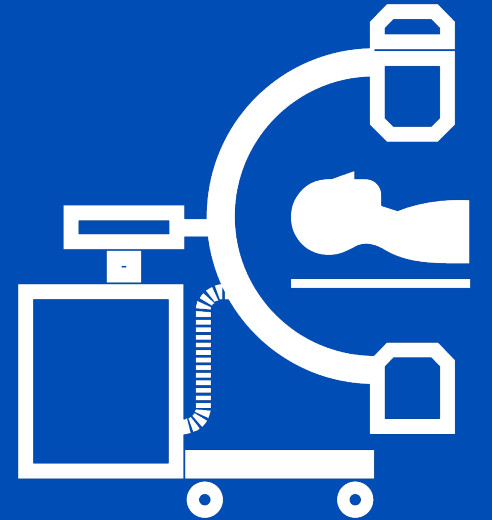


 **APELEM**

PRESENTS

MOBILE C-ARMS



 **DMS**
IMAGING
A DIVISION OF THE DMS GROUP

EYES

RTP 1000

HRP 3000

EVO +

EVO R+

EVO R+15



- ⊕ Mobile imaging systems
- ⊕ Following applications: general surgery, orthopedic, pediatric, abdominal and neurosurgery, urology in combination with lithotripter, traumatology, digital subtraction angiography (DSA)

- ⊕ High frequency pulsed generator associated with :
 - ➔ **stationary** anode (EVO+) : Microprocessor controlled high frequency generator 3,5 kW
 - ➔ **rotating** anode (EVO R+) : Microprocessor controlled high frequency generator 5 kW
 - ➔ **rotating** anode (EVO R+) : Microprocessor controlled high frequency generator 15 kW

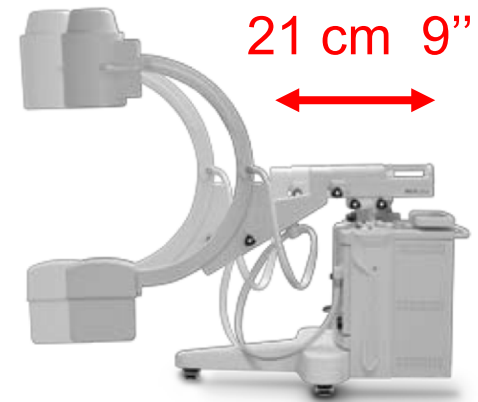
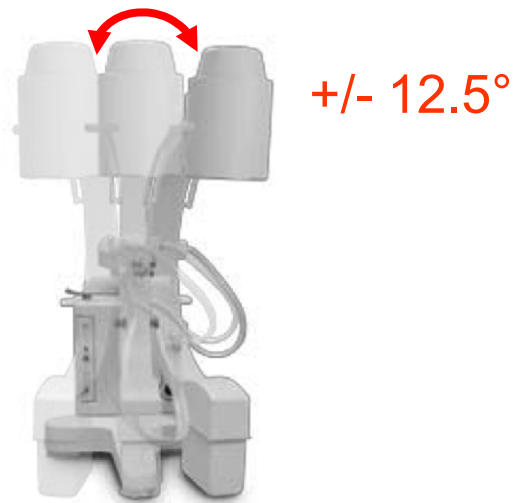
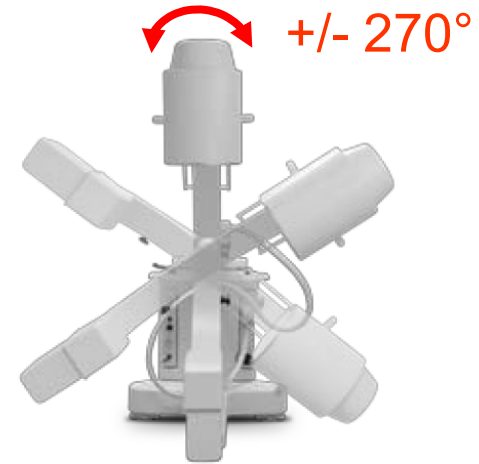
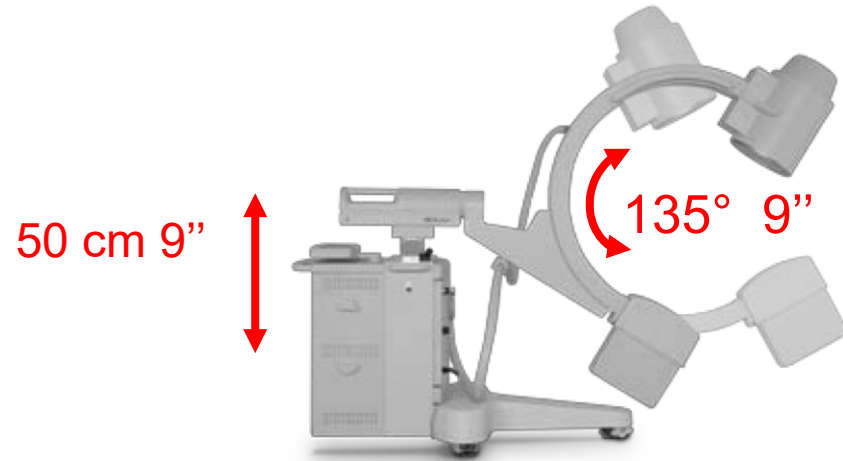
- ⊕ Enables all modes: continuous fluoroscopy, pulsed fluoroscopy and digital radiography

- ⊕ High resolution image intensifier: 9" (23 cm) triple field.
- ⊕ Cassette holder 24 x 30 cm for EVO+ / EVOR+ 9"
- ⊕ The rotating anode enables better tube cooling for longer procedures

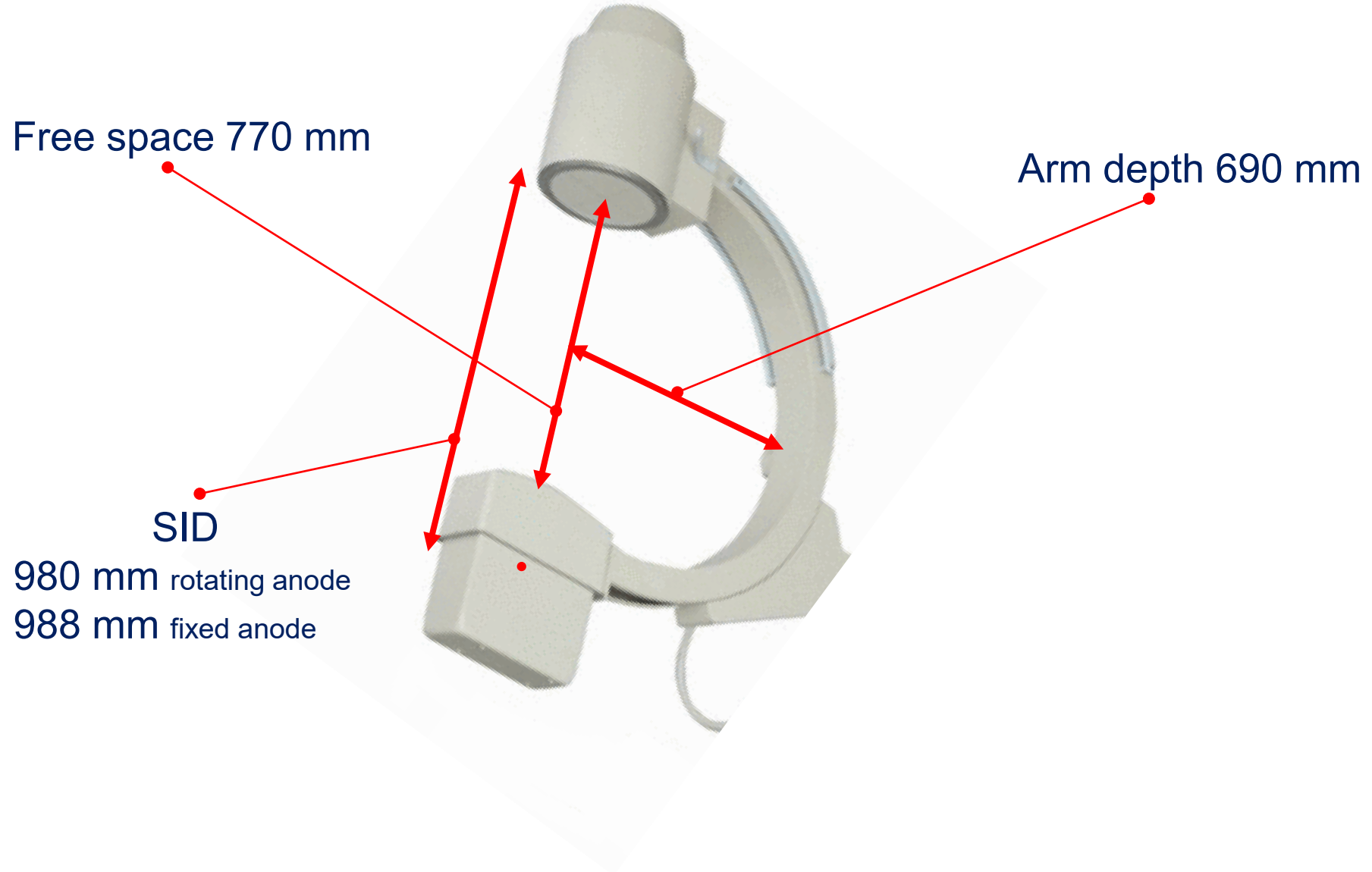
⊕ **Main options :**

- Dose Area Product Meter (DAP) kit including chamber, electronics and display unit
- Virtual collimation
- Zero dose digital rotation
- Parallel Shutters

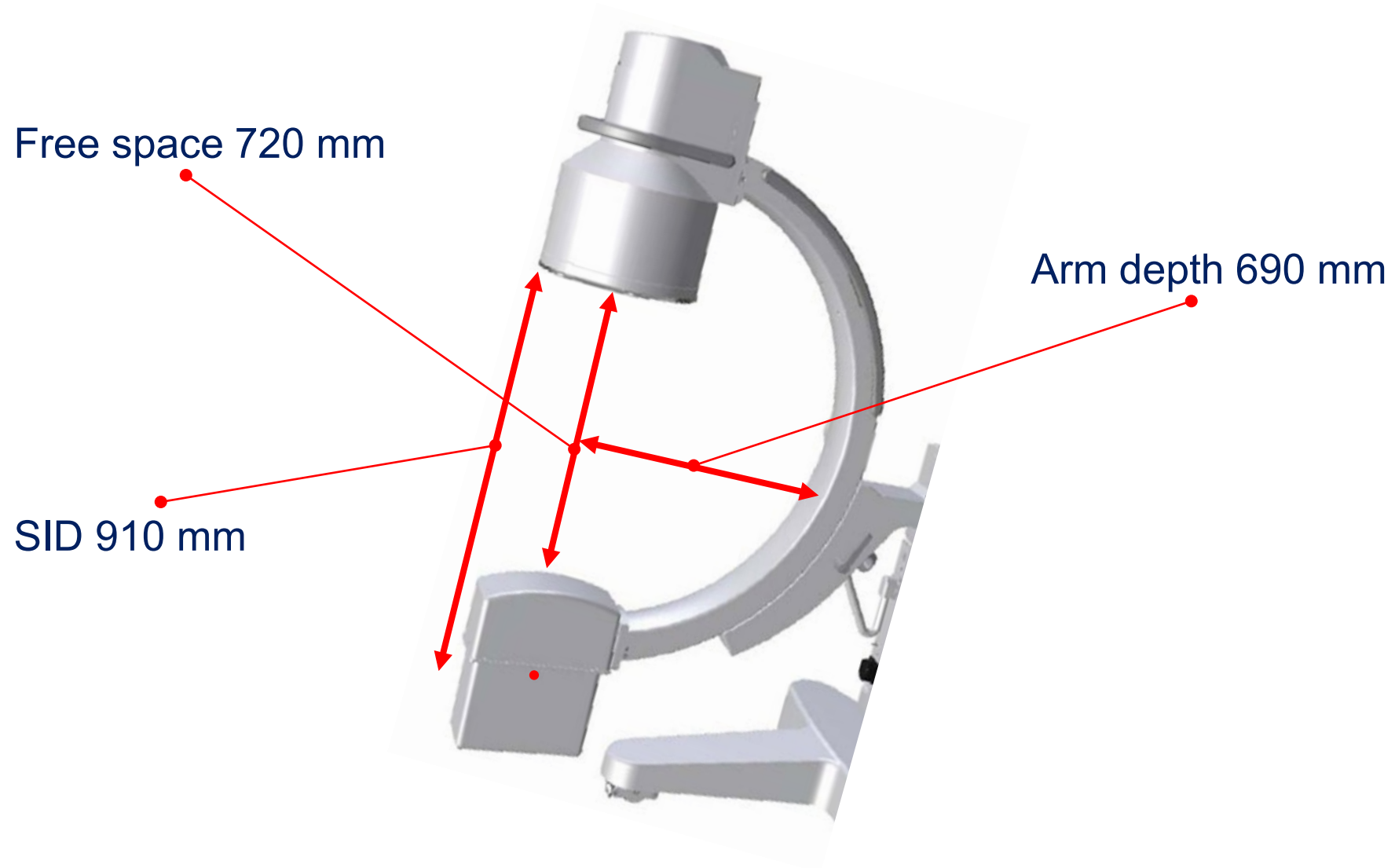
Mechanical Features



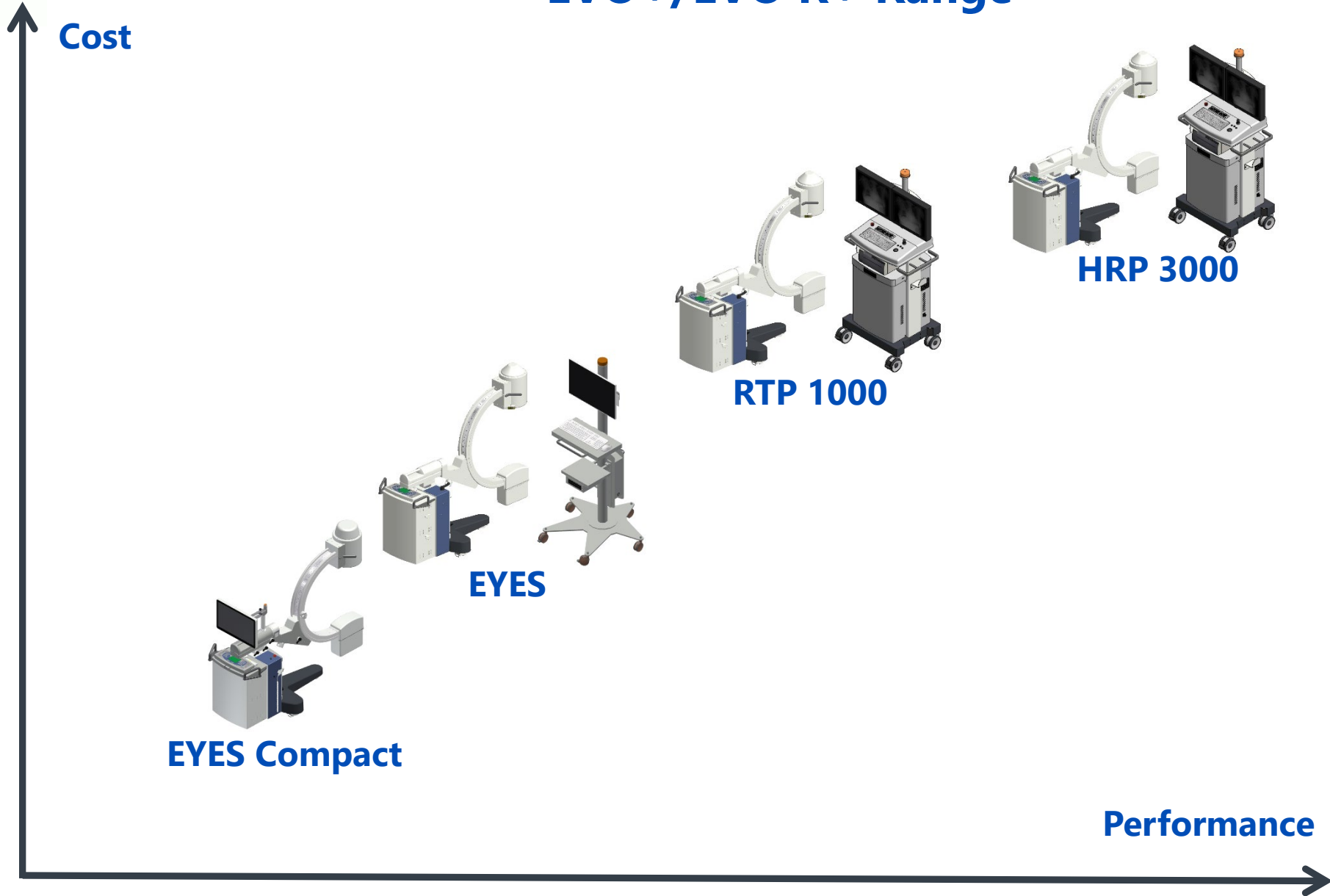
Mechanical Features for 9" II



Mechanical Features for 12" II



EVO+/EVO R+ Range



EVO+ / EVO R+ With memory EYES



UNIT CONFIGURATION

Monobloc : fixed or rotating anode

I.I. Tube : 9" triple field

CCD camera: **1 x 1 k**

Memory: Eyes

Monitor: 24" color (on the trolley)
24" touch screen color (on the C-arm for compact version)

Standard equipment:

- CD/DVD reader (not for compact)
- USB port (bmp export DICOM opt.)
- Ethernet port (DICOM)
- C-arm lateral handlers
- Cassette holder: 24 x 30

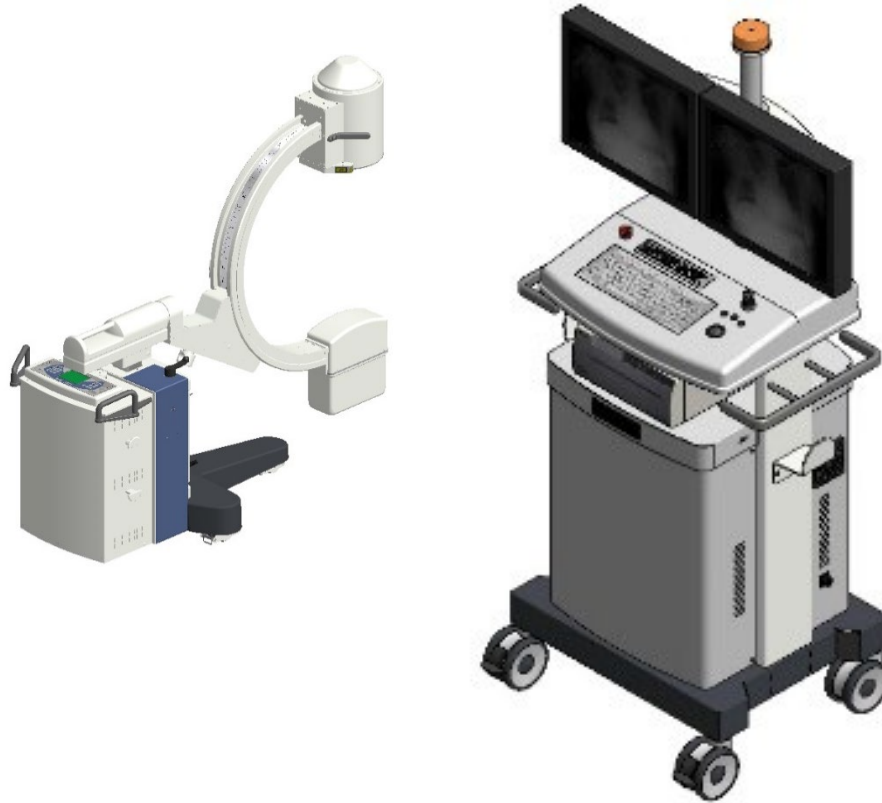
Options:

- printer Sony : UP971 or UP991
- All DICOM modalities (NO DSA)
- DICOM WI-FI USB
- DAP and DAP printer
- Laser (on I.I. side)
- Sterile drapes set

The unit configured with EYES allows:

- ✓ Electronic image rotation at 1°, recursive filters.
- ✓ Image post processing elaboration (H/V image flip; customizable post processing LUT; b/w inversion; electronic shutters; spatial filters; digital magnification; image annotations and measures like stenosis %)
- ✓ Pulsed Fluoroscopy Rates: 12 i/s, 6 i/s, 3 i/s, 1 i/s.
- ✓ Dedicated APR curve to allow Continuous Fluoro up to **15 mA** for sturdy patient (only for rotating anode).
- ✓ Patient Database, Patient Data end exam type.
- ✓ Storage capacity max. **55.000 images 1k x 1k.**
- ✓ Virtual collimators on LIH.
- ✓ All DICOM modalities (optional), **no DSA.**
- ✓ DICOM WIFI USB (optional).

EVO+ / EVO R+ With memory RTP 1000



UNIT CONFIGURATION

Monoblock : fixed or rotating anode

I.I. Tube : 9" triple field

CCD: camera: **1 x 1 k**

Memory: RTP1000

Monitor : 19" B/W

Standard equipment:

- CD/DVD reader
- USB port (bmp export DICOM opt.)
- Remote infrared controller
- Ethernet port (DICOM)
- DSA
- Cassette holder: 24 x 30
- C-arm lateral handlers

Options: printer Sony : UP971 or UP991

- All DICOM modalities
- DICOM wireless module
- DAP and DAP printer
- Laser (on I.I. side)
- Sterile drapes set

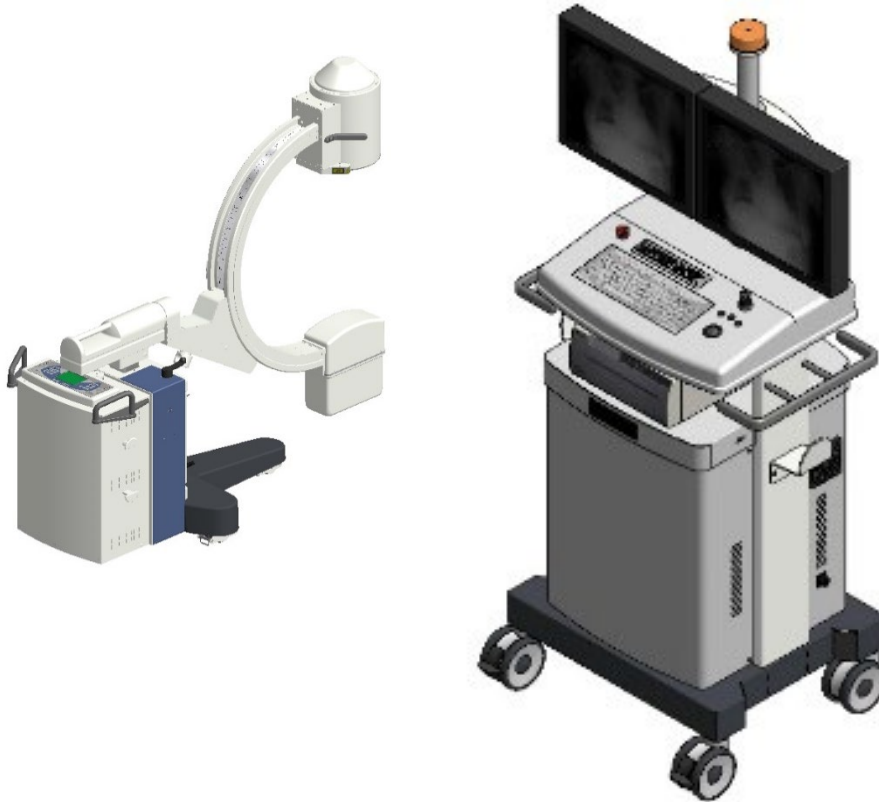
The unit configured with RTP 1000 allows:

- ✓ DSA with automatic and manual mask, road mapping, cineloop, digital image rotation with angle displayed, recursive filters.
- ✓ Image post processing elaboration (H/V image flip; customizable post processing LUT; b/w inversion; electronic shutters; spatial filters; digital magnification; image annotations and measures like stenosis %)
- ✓ Pulsed Fluoroscopy Rates: 2 i/s, 1 i/s, 1 i/3s.
- ✓ Dedicated APR curve to allows Continuous Fluoro up to **15 mA** for sturdy patient (rotating anode only).
- ✓ Auto image storing every: 1/3/6/12/25 fps.
- ✓ Patient Database, Patient Data end exam type.
- ✓ Storage capacity max. **110.000 images 1k x 1k** on standard HD (expandable as option).
- ✓ Virtual collimators on LIH.
- ✓ All DICOM modalities (optional).
- ✓ DICOM wireless module (optional).

Monitor Trolley is self powered and can be used also without the C-ARM

EVO R+ With memory HRP 3000

7,2 kW !



UNIT CONFIGURATION

Monoblock : rotating anode

I.I. Tube : 9" triple field

CCD: camera: 1 x 1 k

Memory: HRP3000

Monitor : 19" B\W

Standard equipment:

CD/DVD reader

USB port (bmp export DICOM opt.)

Remote infrared controller

Ethernet port (DICOM)

DICOM Store, CD/DVD writer

DSA

Cassette holder: 24 x 30

C-arm lateral handlers

Options: printer Sony : UP971 or UP991

All DICOM modalities

DICOM wireless module

DAP and DAP printer

Laser (on I.I. side)

Cassette holder:

18 x 24 - 24 x 30 - 10"x12"

Sterile drapes set

The unit configured with HRP 3000 allows:

- ✓ DSA with automatic and manual mask, road mapping, cineloop, digital image rotation with angle displayed, recursive filters.
- ✓ Image post processing elaboration (H/V image flip; customizable post processing LUT; b/w inversion; electronic shutters; spatial filters; digital magnification; image annotations and measures like stenosis %,...)
- ✓ HCF pulsed fluoroscopy rates : 1/3/6/12/25 fps @ 15/30 mA
- ✓ HCF-DSA with auto store : 0.5/1/2/3/4/6/12/25 fps @ up to 60 mA
- ✓ Auto image storing every: 1 / 3 / 6 / 12 / 25 fps
- ✓ Patient Database, Patient Data end exam type.
- ✓ Storage capacity max. **110.000 images 1k x 1k** on standard HD (expandable as option)
- ✓ Virtual collimators on LIH
- ✓ All DICOM modalities (optional)
- ✓ DICOM wireless module (optional)

Monitor trolley is self powered and can be used also without the C-ARM

EVO R+ 15 With memory HRP 3000

15kW !



Monobloc
Water cooled!



UNIT CONFIGURATION

Monoblock : rotating anode

I.I. Tube : 9" or 12" triple field

CCD: camera: 1 x 1 k

Memory: HRP3000

Monitor : 19" B\W

Standard equipment:

CD/DVD reader

USB port (bmp export DICOM opt.)

Remote infrared controller

Ethernet port (DICOM)

DICOM Store, CD/DVD writer

DSA

C-arm lateral handlers

Cassette holder: 24 x 30

Options: printer Sony : UP971 or UP991

All DICOM modalities

DICOM wireless module

DAP and DAP printer

Laser (on I.I. side)

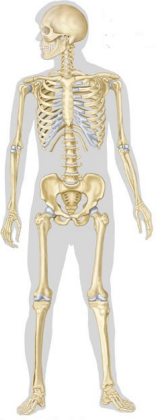
Sterile drapes set

The 15 kW unit configured with HRP_NW allows:

- ✓ DSA with automatic and manual mask, road mapping, cineloop, digital image rotation with angle displayed, recursive filters.
- ✓ -Image post processing elaboration (H/V image flip; customizable post processing LUT; b/w inversion; electronic shutters; spatial filters; digital magnification; image annotations and measures like stenosis %,...)
- ✓ HCF pulsed fluoroscopy rates : 1/3/6/12/25 fps @ 15/30 mA
- ✓ HCF-DSA with auto store : 0.5/1/2/3/4/6/12/25 fps @ up to **150** mA
- ✓ Auto image storing every: 1 / 3 / 6 / 12 / 25 fps
- ✓ Patient Database, Patient Data end exam type.
- ✓ Storage capacity max. 110.000 images 1k x 1k on standard HD (expandable as option)
- ✓ Virtual collimators on LIH
- ✓ All DICOM modalities (optional)
- ✓ DICOM wireless module (optional)

Monitor trolley is self powered and can be used also without the C-ARM

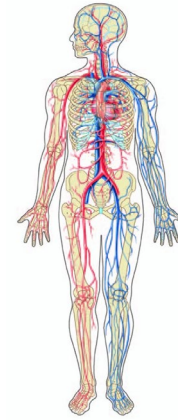
Intended use



Traumatology

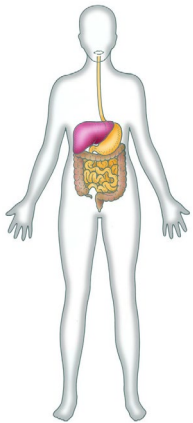
Orthopedics

Vertebroplasty



Pacemaker implantation

Peripheral Angiography



Digestive system

Biliary drainage and stenting

Lithotripsy



Generic Surgery

Image guided biopsy

Neonatology and pediatrics

Main Applications and suggested Memories

- ✓ Are you going to do any exam with Contrast Media? (HCF/DSA with acquisition required)
- ✓ Prevalent Body Region and duration of the exam? (Fixed/Rotating Anode and Memory)
- ✓ Resolution expected by the images? (*CCD, Monitor, Memory*)
- ✓ Only as an example, here below are listed some «suggested applications» accordingly to the Memory type:

-**EYES:** Orthopaedics, Pacemaker, Litotripsy.

-**RTP 1000 and HRP 3000:** pacemaker, endoscopy, biopsy , endovascular surgery, Peripheral angiography.

-**HRP 3000 advantages: higher mA values than RTP1000.**



ADDRESS

9 avenue du canal Philippe Lamour
30660 Gallargues-le-Montueux
— FRANCE

T > +33 4 67 50 49 00

F > +33 4 67 50 49 09

These products are a Class IIb medical devices, manufactured by Technix. The conformity assessment was carried out by IMQ CE0051 and bears the CE marking. It is intended for x-ray examinations in radiology, radiography and diagnosis. Read the operating instructions carefully. Photos are non-contractual.