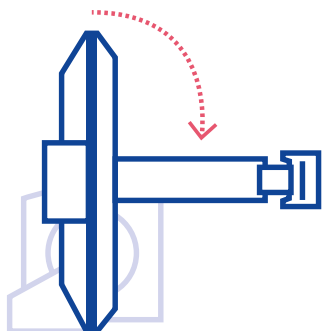


OPTIMA

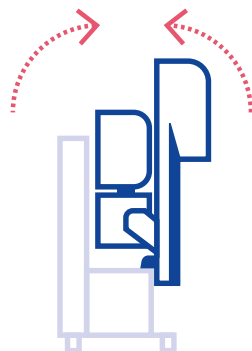


# OPTIMA DRF

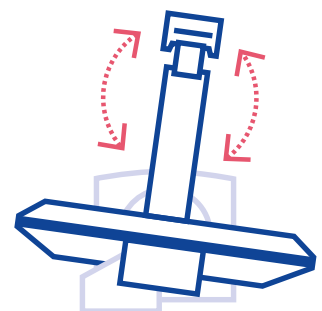
BASED ON THE SAME TECHNOLOGY AS THE PLATINUM, THE OPTIMA HAS BEEN DESIGNED TO BE A ROBUST SOLUTION. THIS HIGH-PERFORMANCE TABLE USES THE HIGHEST TECHNOLOGY AVAILABLE ON A REMOTE-CONTROLLED TABLE AND OFFERS A COMFORTABLE DIAGNOSTIC EXPERIENCE FOR THE PATIENT. THE WIDE RANGE OF OPTIONS AVAILABLE MAKES IT ACCESSIBLE FOR DIFFERENT BUDGETS.



Innovative tilting movement to achieve a low fixed height: 79cm



Innovative design for fast and easy transportation



Fully motorized movements for an excellent workflow