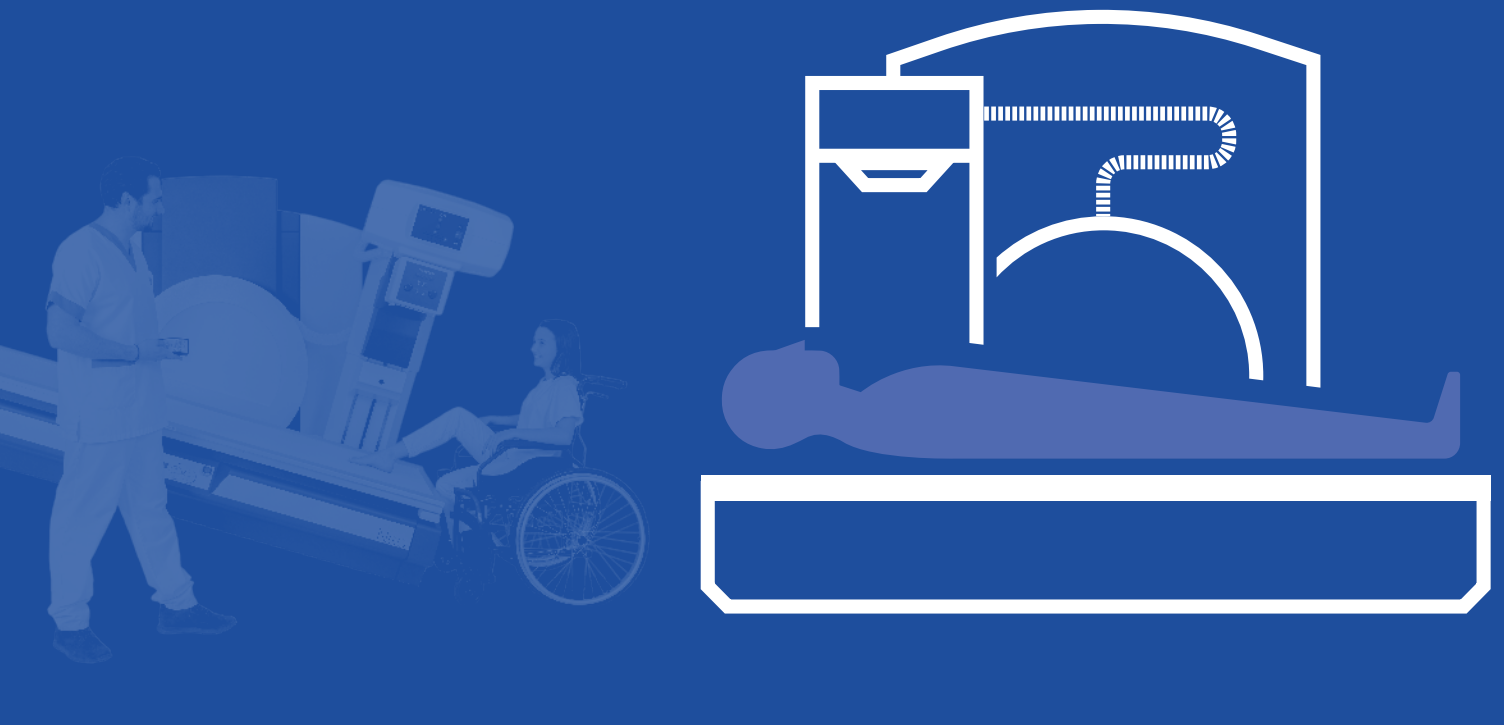


 **APELEM**

PRESENTS

R/F SOLUTIONS



PLATINUM NEO
&
OPTIMA DRF

 **DMS**
IMAGING

R/F SOLUTIONS

A COMPLETE RANGE OF SOLUTIONS FOR ALL TYPES OF BUDGET AND WORKFLOW

MAXIMUM FLEXIBILITY FOR A WIDE RANGE OF APPLICATIONS

IN TODAY'S MEDICAL IMAGING ENVIRONMENT, THE REMOTE-CONTROLLED TABLE IS THE IDEAL SOLUTION FOR EXPERTS LOOKING FOR A SYSTEM THAT OFFERS MAXIMUM FLEXIBILITY, A WIDE RANGE OF APPLICATIONS AND EXCELLENT IMAGE QUALITY. APELEM HAS STUDIED THE NOTION OF FLEXIBILITY AND PERFORMANCE, TO DEVELOP A RANGE OF SOLUTIONS THAT ENSURE BOTH THESE THINGS IN A HIGH-PERFORMING EFFICIENT PACKAGE THAT OPTIMIZES THE EXAMINATION EXPERIENCE.



PLATINUM NEO & OPTIMA DRF BENEFIT FROM ADAM,
OUR POWERFUL R/F SOFTWARE SUITE FEATURING
AN OPTIMAL & PRODUCTIVE WORKFLOW.

PLATINUM NEO

Equipped with the latest technologies and designed to be an intelligent solution for operators and patients, the Neo is perfectly suited for busy imaging systems with demanding workflow.

OPTIMA DRF

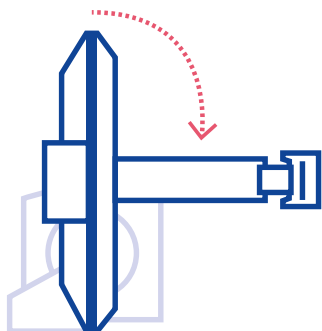
The Optima was developed on the same platform as the Platinum and benefits from many of the same features and advanced technologies in a value-tier package. The main advantage of the platform effect is that servicing and applications training is exactly the same for both systems.

OPTIMA

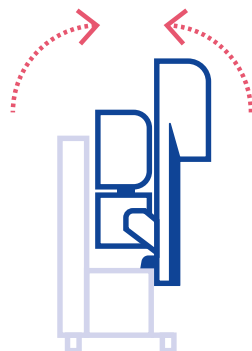


OPTIMA DRF

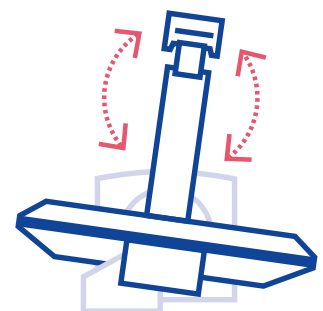
BASED ON THE SAME TECHNOLOGY AS THE PLATINUM, THE OPTIMA HAS BEEN DESIGNED TO BE A ROBUST SOLUTION. THIS HIGH-PERFORMANCE TABLE USES THE HIGHEST TECHNOLOGY AVAILABLE ON A REMOTE-CONTROLLED TABLE AND OFFERS A COMFORTABLE DIAGNOSTIC EXPERIENCE FOR THE PATIENT. THE WIDE RANGE OF OPTIONS AVAILABLE MAKES IT ACCESSIBLE FOR DIFFERENT BUDGETS.



Innovative tilting movement to achieve a low fixed height: 79cm



Innovative design for fast and easy transportation



Fully motorized movements for an excellent workflow

PLATINUM NEO

A SMART SOLUTION THAT REVOLUTIONIZES THE R/F WORKFLOW



PLATINUM NEO

THE PLATINUM NEO WAS DESIGNED TO PROVIDE MAXIMUM FLEXIBILITY FOR ALL TYPES OF EXAM ROOMS AND FOR ALL TYPES OF EXAMS. NEW INTELLIGENT FEATURES, LIKE AUTOMATIC GRID PARKING, FURTHER ENHANCE THE USER EXPERIENCE. THE AMBIENT LIGHTS, AND MP3 PLAYER HELP PUT PATIENTS AT EASE DURING ROUTINE EXAMINATIONS AND LONGER, MORE COMPLEX PROCEDURES.

ADAPTABILITY

The motorized tilting of the table at +/- 90° gives the Platinum Neo the ability to easily integrate into any examination room.

PATIENT COMFORT

The Platinum Neo can easily support a patient weighing up to 265 kg, with no movement limitations. The table top lowers to 48 cm to facilitate the patient loading. Full access around the table facilitates patient transfer.

FOCAL RANGE

With a continuous Source-To-Image-Distance (SID) of 110 to 180 cm, the Platinum Neo allows a wide range of examinations, offering optimal accuracy for pulmonary and stitching examinations.

OPTIMAL PATIENT COVERAGE

Patient coverage is 201 cm.
As an option, longitudinal movement of the table top can further increase the patient coverage.

THE PLATINUM SYSTEM

COMFORT FOR MEDICAL OPERATOR

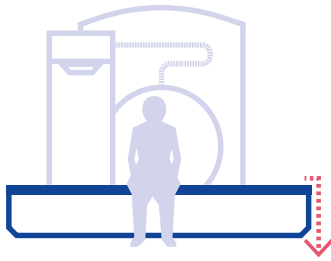
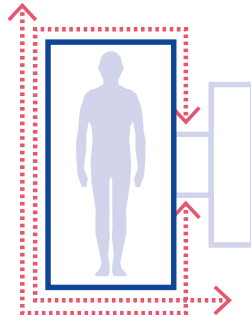
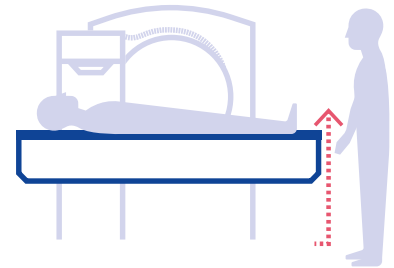


Table top lowers to 48cm
for easy patient loading

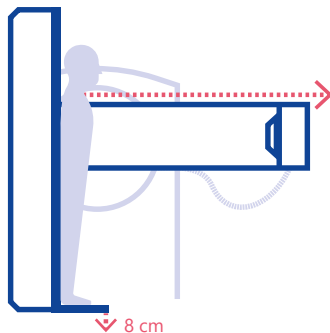


Full access
all around the table

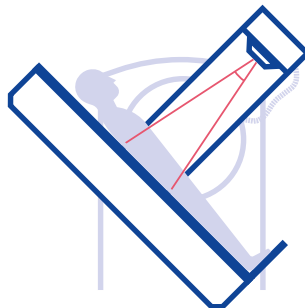


Comfortable, adjustable working
height up to 130cm

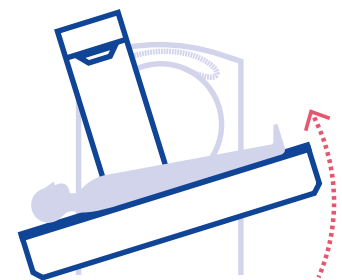
IMAGING EXCELLENCE



Source to image distance:
up to 180cm

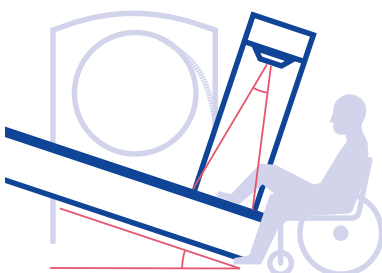


Patient coverage 201cm (+/- 50 cm
with longitudinal movement as an option)

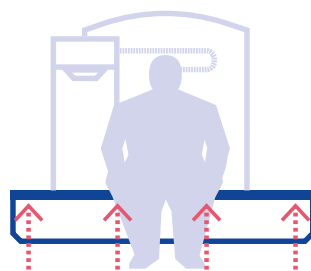


Programmable
Trendelenburg position

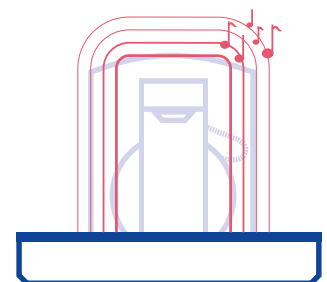
ACCESSIBILITY FOR EVERY PATIENT



Easily adapts
to mobility reduced patients



Supports the weight of a patient weighing
up to 265 kg without any limitation



Ambient lights and MP3 player
for a relaxing exam

A COMPLETE SYSTEM WITH FLEXIBLE CONFIGURATIONS



+ OPTIONS

- Infrared remote control
- Bluetooth hand switch with integrated "MOVE" button
- Stitching
- Digital Subtraction Angiography (DSA)
- Handsfree positioning pedal
- Double pedal (RAD/Fluoro) in the control room
- Tube touchscreen
- Mobile tablet



ADAM SOFTWARE

ADAM, THE R/F WORKFLOW REVOLUTION

AVAILABLE ON OPTIMA DRF & PLATINUM NEO

ADAM, THE NEW R/F SOFTWARE SUITE, IS A MODERN, EFFICIENT TOOL FOR IMAGING EXPERTS.

ADAM COMBINES DEVELOPMENT AND DESIGN EXPERTISE WITH USER EXPERIENCE

TO DEFINE THE NEXT GENERATION OF R/F WORKFLOW.



MODERN DESIGN

ADAM offers a streamlined workspace, customizable and particularly adapted for touchscreen use.

INNOVATION IN DOSE-FREE POSITIONING

Thanks to the Go-To-Position feature, patient positioning has never been so easy ! With a simple adjustment of the LIH image on the monitor, the table will intelligently execute the most optimal movement. Patients can be centered without using X-rays.

AWSOME WORKFLOW

With its intuitive navigation flow, ADAM provides the right tool at the right moment. No wasted clicks, no wasted time. Informed by user feedback, ADAM's easy, fast and efficient platform is the perfect solution to meet customers' needs.

EXCELLENT IMAGE QUALITY

OPTIMISED DOSE

Radiologists will benefit from excellent image quality resulting from the combination of state-of-the-art detector specifications, and a deep learning algorithm.

Our powerful imaging processing tool provides an optimal image even in case of under-exposure, avoiding unnecessary retakes.

WORKING DAILY WITH OUR SYSTEMS

DESIGNED TO PROVIDE AN OPTIMAL WORKFLOW AND TO ADAPT TO DIFFERENT WAYS OF WORKING.

1. AUTOMATIC EXAM PARAMETERS

When patients are imported from **Worklist** to the ADAM workstation, **all exam parameters**, including generator constants, table position, additional filtration, collimation, and grid status **are automatically set**. The user simply presses the "MOVE" button to position the table, and the exam is ready!



2. FAST AND PRECISE IMAGE ACQUISITION

ADAM is designed to have a simple, refined interface that provides **the right tool at the right moment to make exams quick and efficient**.



3. INTELLIGENT POST-PROCESSING

All post-processing tools including measurements, angles and the stitching module are available on the ADAM workstation. **A powerful AI algorithm guarantees excellent image quality, for all types of exams.**





DMS
IMAGING





DMS IMAGING



R/F SOLUTIONS



BONE DENSITOMETERS



CHEST & BONE ROOMS



ADAM SOFTWARE



MOBILES



C-ARMS



RETROFIT KITS



MAMMOGRAPHY

ADDRESS > 9 Avenue du Canal Philippe LAMOUR - 30660 Gallargues-le-Montueux - FRANCE

PHONE > +33 4 66 29 09 07 - www.dms-imaging.com

These products are Class IIb medical devices manufactured by Apelem and bear the CE marking. They are certified in the European Union under the Medical Device Directive 93/42/EEC by SGS CE1639, exclusively for the indication of radiodiagnosis. Other non-medical uses ascribed to these devices are not within the scope of CE certification, and user should be aware product performance and/or safety has not been evaluated by SGS for those purposes.

Read the operating instructions carefully. Photos are non-contractual. BrochureA_RFSOLUTIONS_03 10/2023