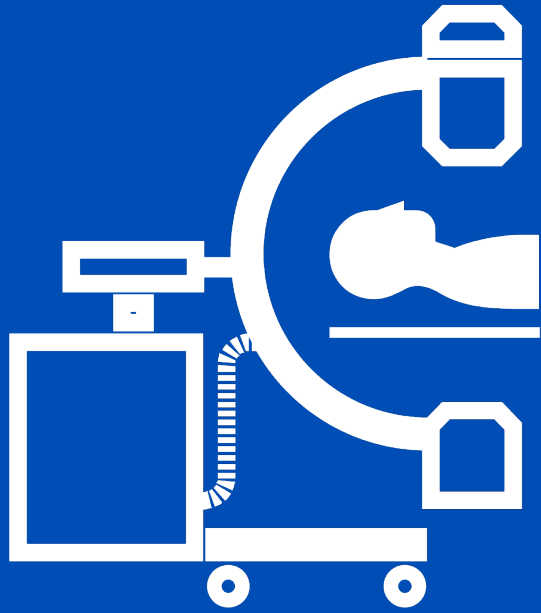


 APELEM

PRESENTS



# MOBILE C-ARMS

 **DMS**  
IMAGING

EVO +  
EVO R+

# MOBILE C-ARMS



**EVO +**



**EVO R+**

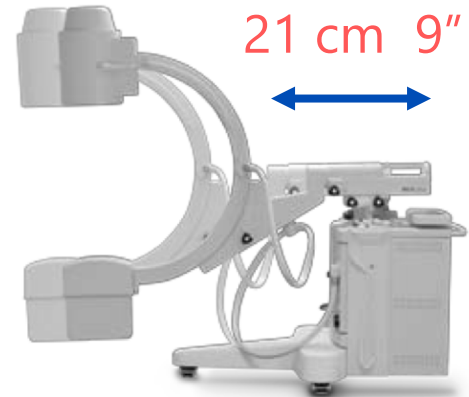
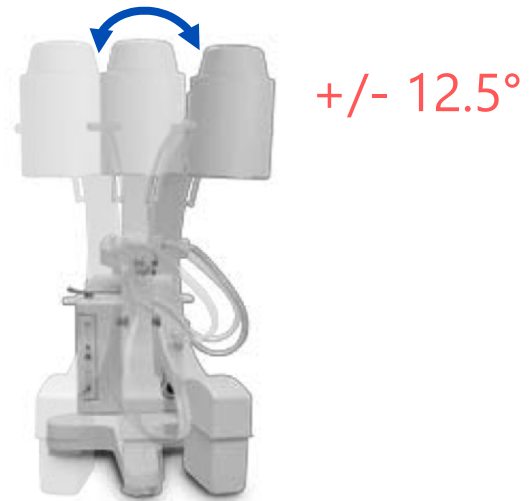
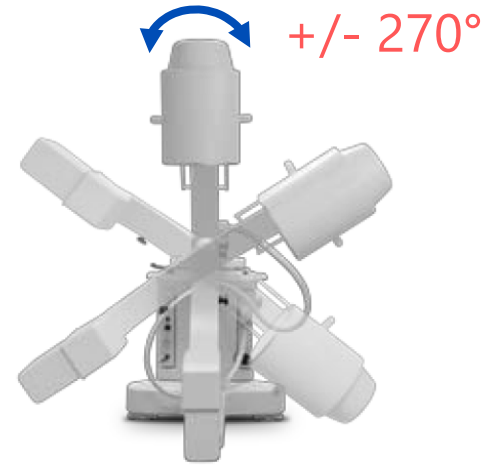
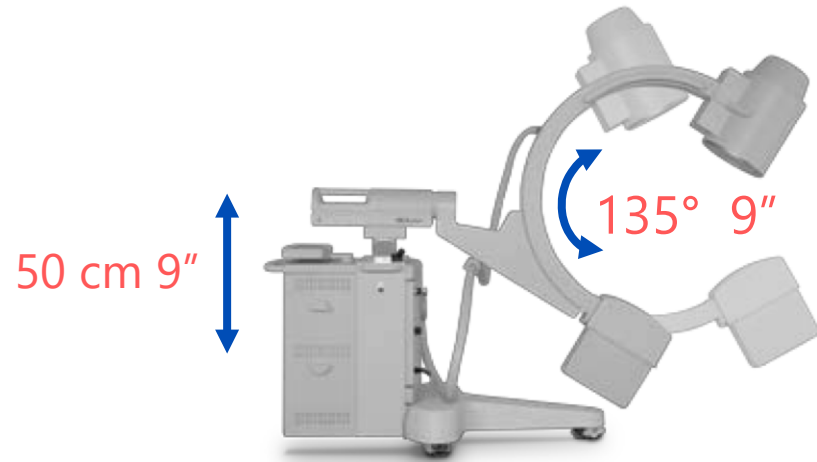
- ⊕ Mobile imaging systems
- ⊕ Following applications: general surgery, orthopedic, pediatric, abdominal and neurosurgery, urology in combination with lithotripter, traumatology, digital subtraction angiography (DSA)
- ⊕ High frequency pulsed generator associated with :
  - ➔ **stationary** anode (EVO+) : Microprocessor controlled high frequency generator 3,5 kW
  - ➔ **rotating** anode (EVO R+) : Microprocessor controlled high frequency generator 5 kW
- ⊕ Enables all modes: continuous fluoroscopy, pulsed fluoroscopy and digital radiography
- ⊕ High resolution image intensifier: 9" (23 cm) triple field.
- ⊕ Cassette holder 24 x 30 cm for EVO+/ EVOR+ 9"
- ⊕ The rotating anode enables better tube cooling for longer procedures

⊕ **Main options:**

- Dose Area Product Meter (DAP) kit including chamber, electronics and display unit
- Virtual collimation
- Zero dose digital rotation
- Parallel Shutters

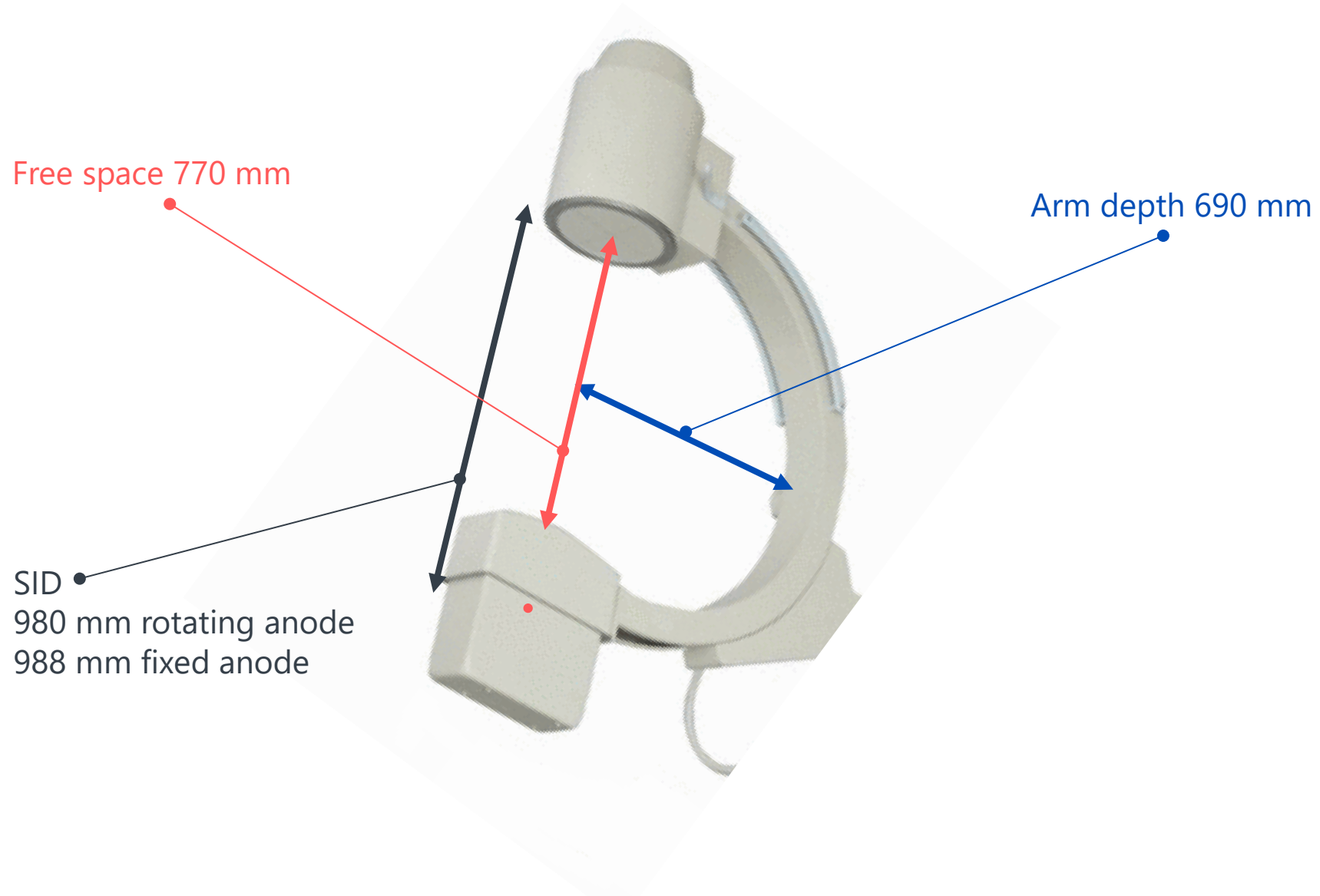
# MOBILE C-ARMS

## Mechanical Features



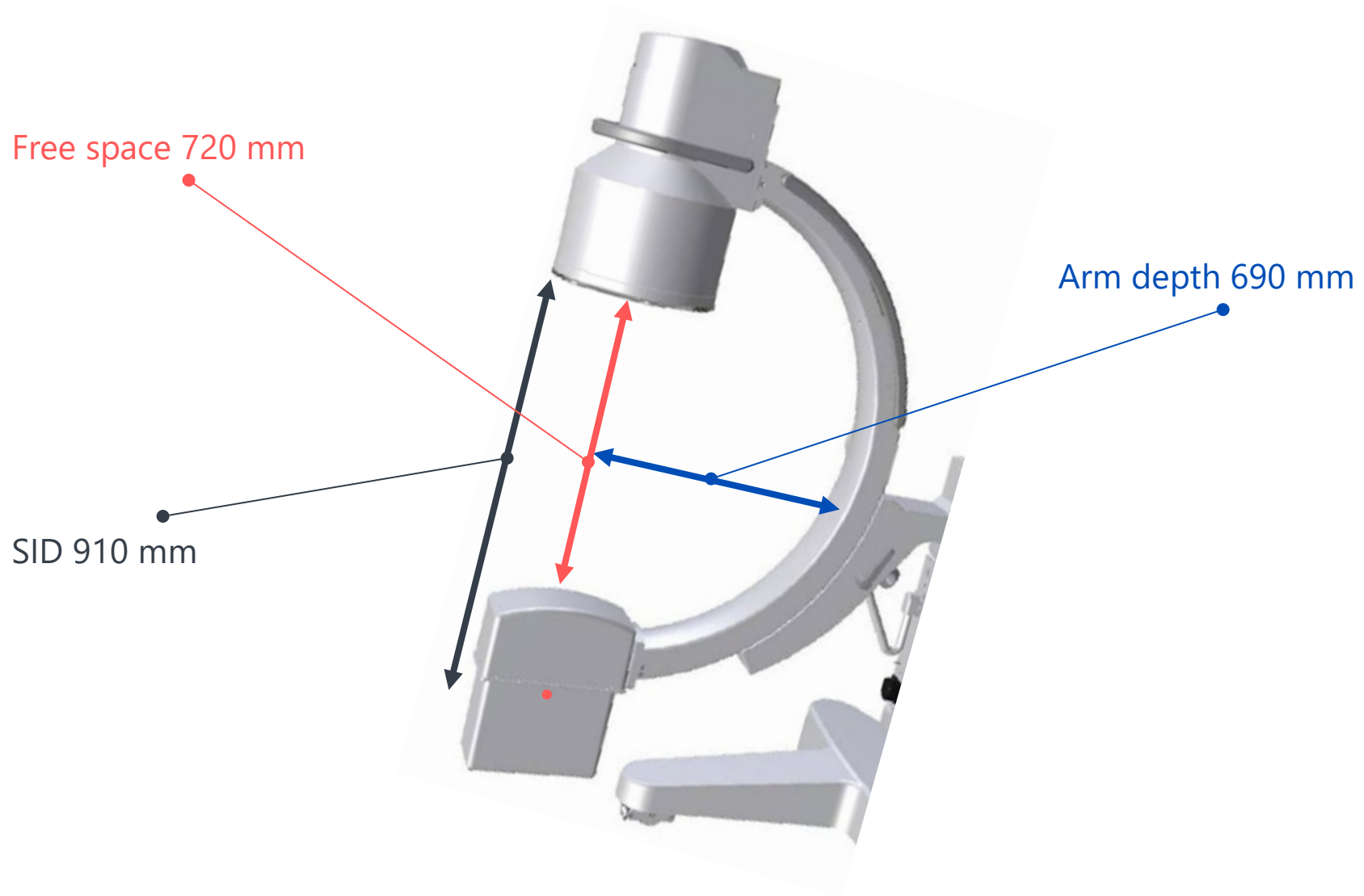
# MOBILE C-ARMS

## Mechanical Features



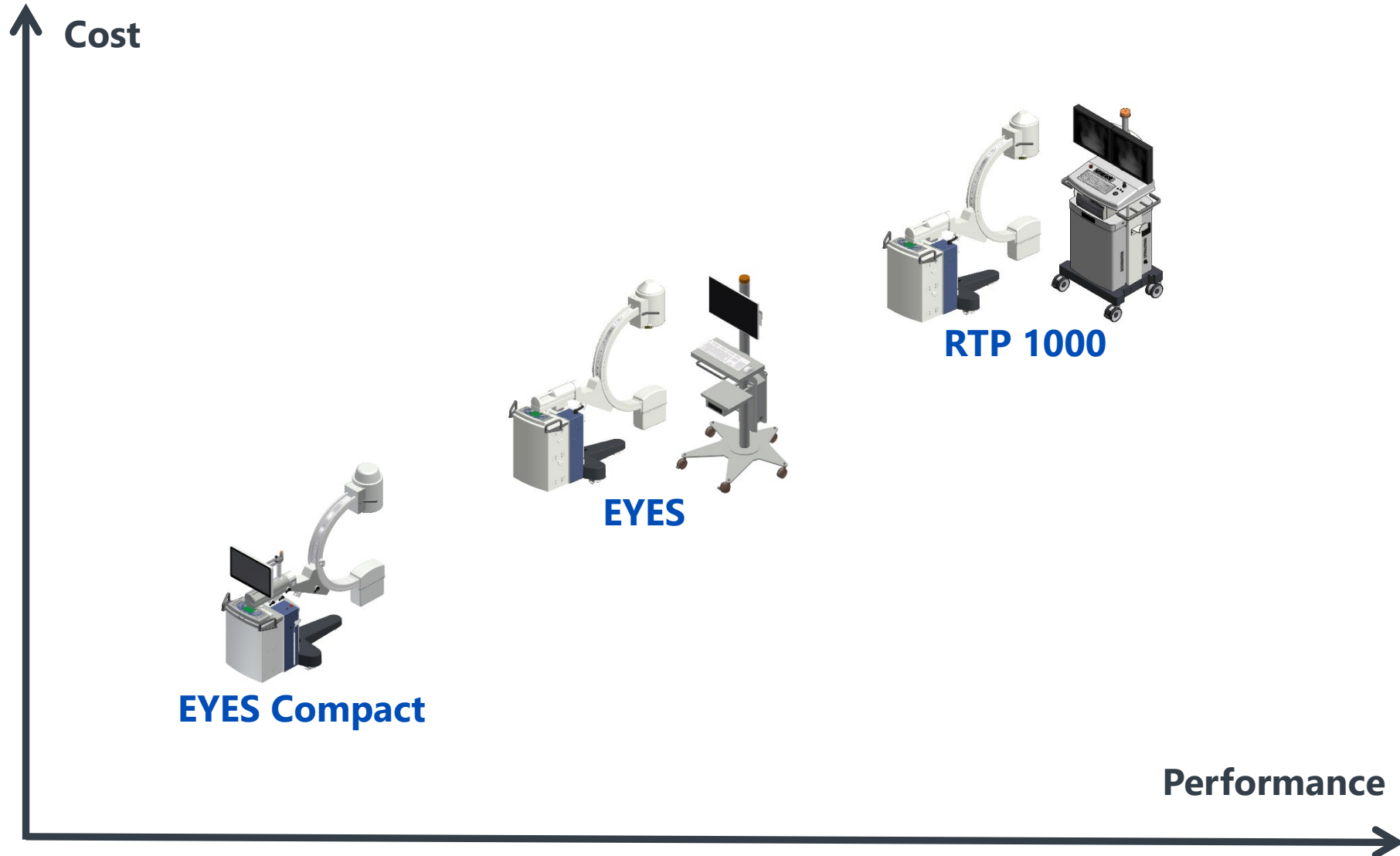
# MOBILE C-ARMS

## Mechanical Features



# MOBILE C-ARMS

EVO+/EVO R+ Range





## **EVO+ / EVO R+** With memory EYES



### **UNIT CONFIGURATION**

**Monobloc** : fixed or rotating anode

**I.I. Tube** : 9" triple field

**CCD camera**: **1 x 1 k**

**Memory**: Eyes

**Monitor**: 24" color (on the trolley)  
24" touch screen color (on the C-arm for compact version)

#### **Standard equipment:**

- CD/DVD reader (not for compact)
- USB port (bmp export DICOM opt.)
- Ethernet port (DICOM)
- C-arm lateral handlers
- Cassette holder: 24 x 30

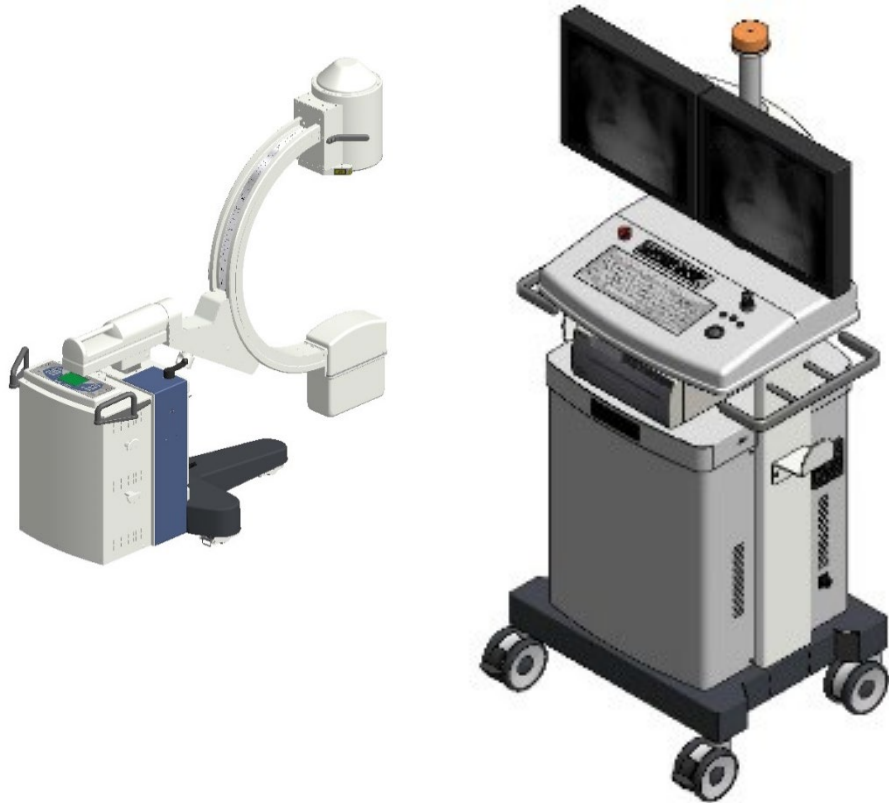
**Options:**

- printer Sony : UP971 or UP991
- All DICOM modalities (NO DSA)
- DICOM WI-FI USB
- DAP and DAP printer
- Laser (on I.I. side)
- Sterile drapes set

## The unit configured with EYES allows:

- ✓ Electronic image rotation at 1°, recursive filters.
- ✓ Image post processing elaboration (H/V image flip; customizable post processing LUT; b/w inversion; electronic shutters; spatial filters; digital magnification; image annotations and measures like stenosis %)
- ✓ Pulsed Fluoroscopy Rates: 12 p/s, 6 p/s, 3 p/s, 1 p/s.
- ✓ Dedicated APR curve to allow Continuous Fluoro up to **15 mA** for sturdy patient (only for rotating anode).
- ✓ Patient Database, Patient Data end exam type.
- ✓ Storage capacity max. **55.000 images 1k x 1k.**
- ✓ Virtual collimators on LIH.
- ✓ All DICOM modalities (optional), **no DSA.**
- ✓ DICOM WIFI USB (optional).

## **EVO+ / EVO R+** **With memory RTP 1000**



### **UNIT CONFIGURATION**

**Monoblock** : fixed or rotating anode

**I.I. Tube** : 9" triple field

**CCD: camera:** **1 x 1 k**

**Memory:** RTP1000

**Monitor** : 19" B/W

#### **Standard equipment:**

CD/DVD reader

USB port (bmp export DICOM opt.)

Remote infrared controller

Ethernet port (DICOM)

DSA

Cassette holder: 24 x 30

C-arm lateral handlers

**Options:** printer Sony : UP971 or UP991

All DICOM modalities

DICOM wireless module

DAP and DAP printer

Laser (on I.I. side)

Sterile drapes set

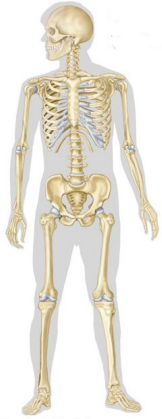
## **The unit configured with RTP 1000 allows:**

- ✓ DSA with automatic and manual mask, road mapping, cineloop, digital image rotation with angle displayed, recursive filters.
- ✓ Image post processing elaboration (H/V image flip; customizable post processing LUT; b/w inversion; electronic shutters; spatial filters; digital magnification; image annotations and measures like stenosis %)
- ✓ Pulsed Fluoroscopy Rates: 2 i/s, 1 i/s, 1 i/3s.
- ✓ Dedicated APR curve to allows Continuous Fluoro up to **15 mA** for sturdy patient (rotating anode only).
- ✓ Auto image storing every: 1/3/6/12/25 fps.
- ✓ Patient Database, Patient Data end exam type.
- ✓ Storage capacity max. **110.000 images 1k x 1k** on standard HD (expandable as option).
- ✓ Virtual collimators on LIH.
- ✓ All DICOM modalities (optional).
- ✓ DICOM wireless module (optional).

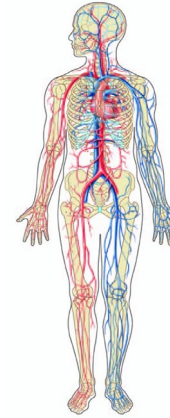
**Monitor Trolley is self powered and can be used also without the C-ARM**

# MOBILE C-ARMS

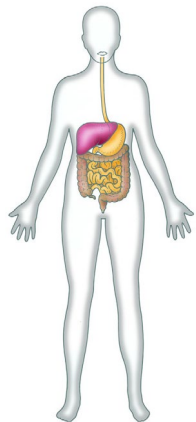
## Intended use



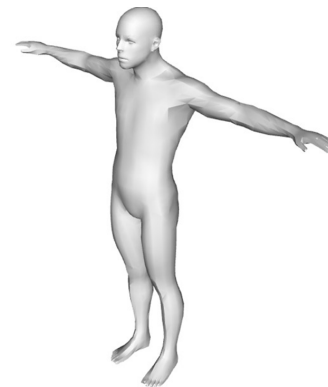
- Traumatology
- Orthopedics
- Vertebroplasty



- Pacemaker implantation
- Peripheral Angiography



- Digestive system
- Biliary drainage and stenting
- Lithotripsy



- Generic Surgery
- Image guided biopsy
- Neonatology and pediatrics

## Main Applications and suggested Memories

- ✓ Are you going to do any exam with Contrast Media? (HCF/DSA with acquisition required)
- ✓ Prevalent Body Region and duration of the exam? (Fixed/Rotating Anode and Memory)
- ✓ Resolution expected by the images? (*CCD, Monitor, Memory*)
- ✓ Only as an example, here below are listed some «suggested applications» accordingly to the Memory type:

-**EYES**: Orthopaedics, Pacemaker, Litotripsy.

-**RTP 1000**: pacemaker, endoscopy, biopsy, endovascular surgery, Peripheral angiography.



**ADDRESS** > 9 Avenue du Canal Philippe LAMOUR - 30660 Gallargues-le-Montueux - FRANCE

**PHONE** > +33 4 66 29 09 07 – [www.dms-imaging.com](http://www.dms-imaging.com)